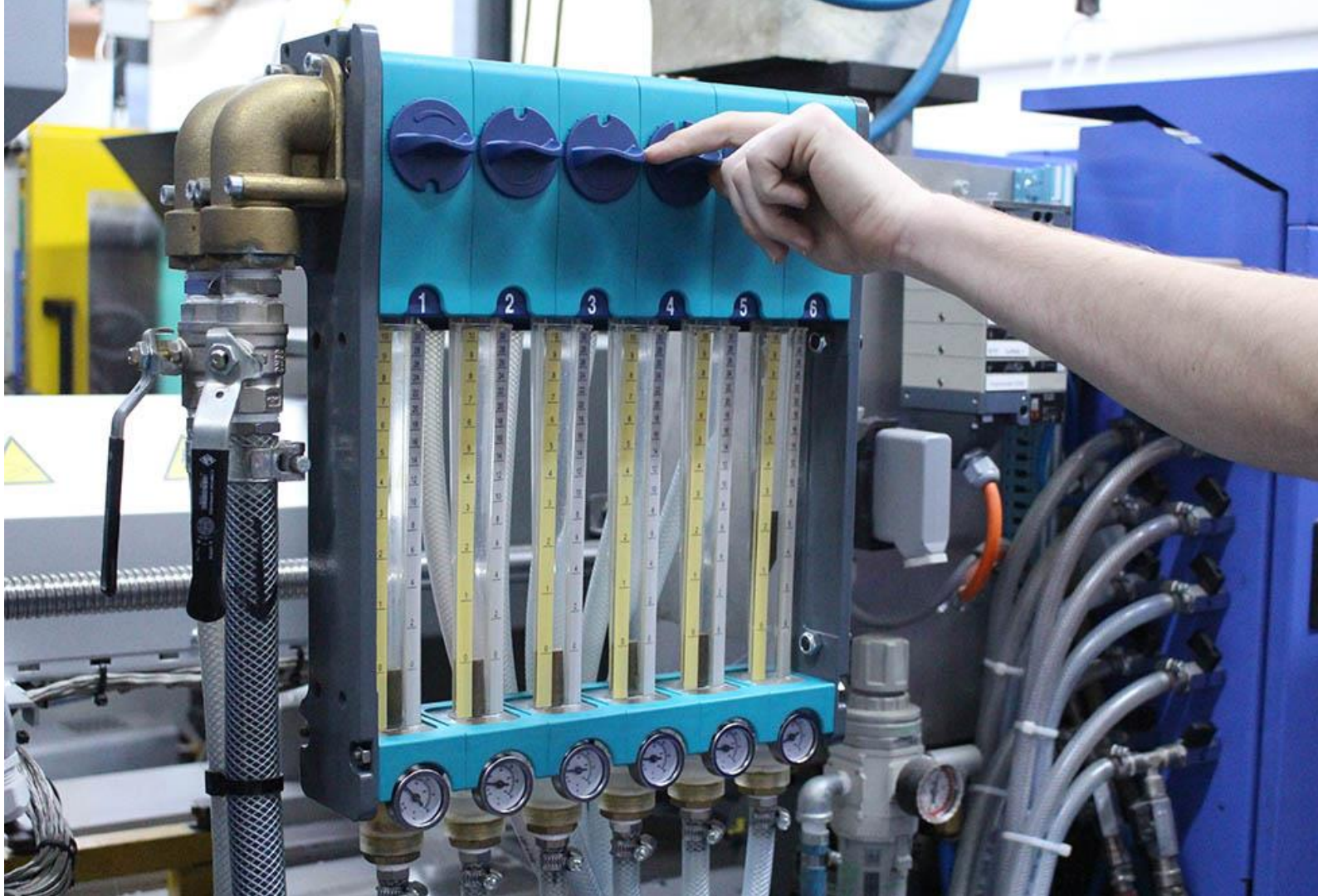


The DEXA[®] Flow Regulator

Control your water inlet and outlet with a unique control knob and perform very easily your maintenance.



 **DEXA**
Flow Regulator



Introduction

The new generation of DEXA® flow regulators is based on the patented principle of a double valve controlled by a single button.

Designed and manufactured in France, it is the only device on the market where the user does not have to use two buttons to open and/or close the two valves in each zone. A single button that can be operated with a 180° rotation performs this function.

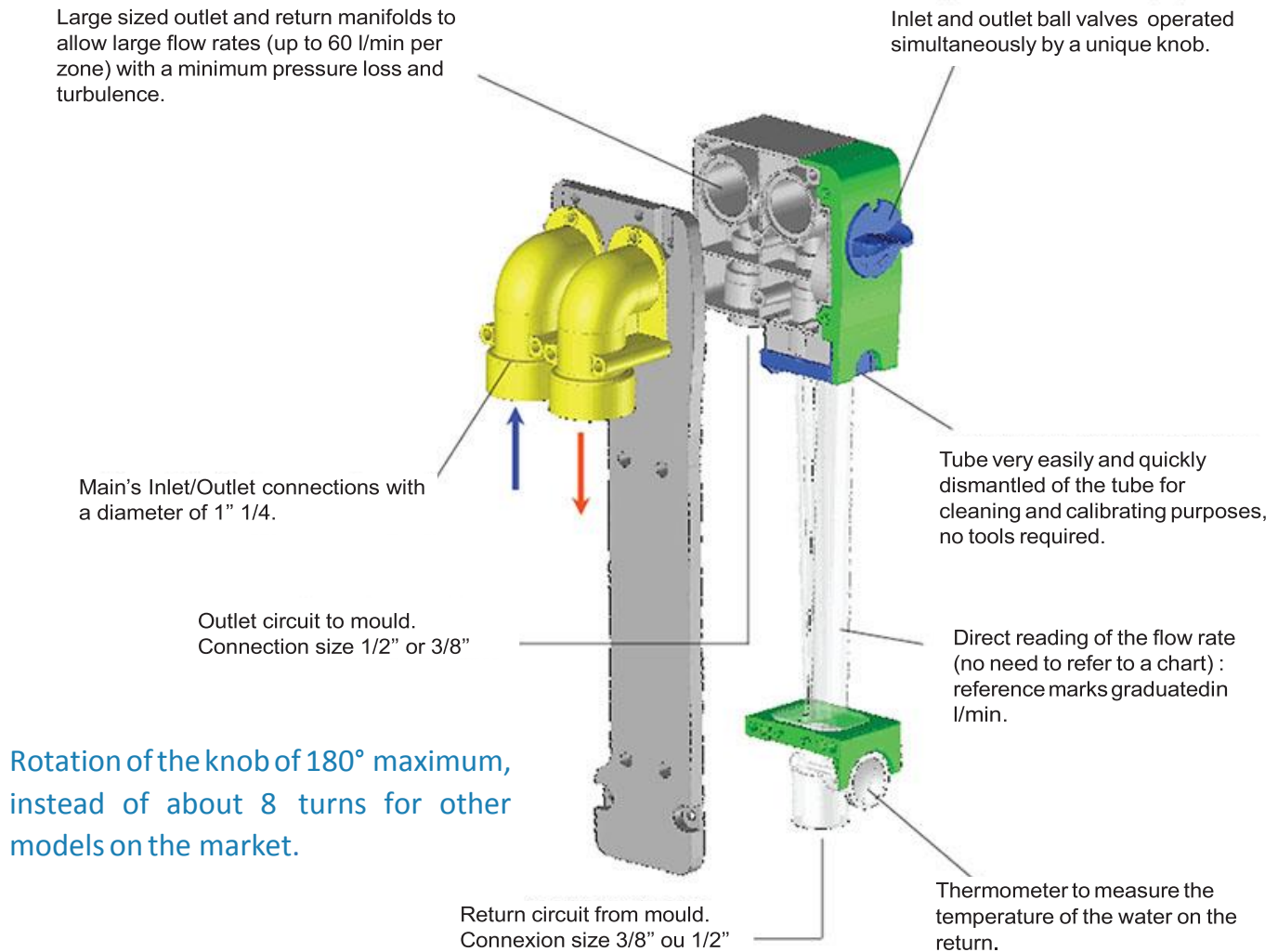
Due to its design, the DEXA automatically shuts off the water supply before closing the outlet valve without any risk of blockage, relieving pressure in the circuits before disconnecting the connectors.

The graduated tubes, which have exceptionally good mechanical and chemical resistance, are easy to maintain thanks to tool-free dismantling at the touch of a dedicated button.

The DEXA® flow regulator is extremely efficient thanks to its enlarged passages and perfectly designed flow profiles that allow maximum water flow (up to 60 l/min) with minimum pressure loss and turbulence. The DEXA flow regulator is configurable according to your needs from 1 to 12 zones in 10L, 30L or 60L/min with or without thermometer.



The flow and temperature under control with cleanness and safety



Advantages of the DEXA®

- No confusion possible between in- and outlet valves.
- After closing the circuits are pressure free for a clean and safe disconnection of the couplers and hoses: the inlet valve is automatically closing before the outlet valve.
- The opening ratio between both in- and outlet valves is always constant : the flow adjustment is perfectly repeatable.
- Full scale and accurate flow adjustment is done by just a 180° rotation of the knob.
- The position of the adjusting knob is indicated by reference marks (graduated from 0 to 10) so that the flow conditions in all circuits can be individually controlled allowing the detection of eventual flow restriction in the cooling circuits.
- The connections to circuits can be done indifferently on the left or the right of the flow regulator.

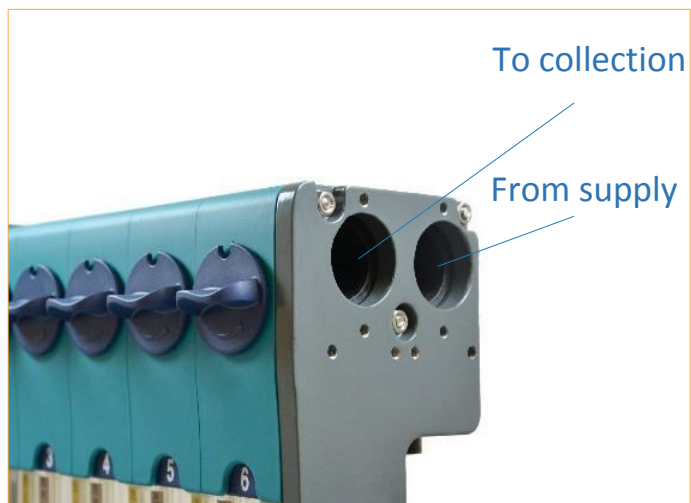
With regards to performance the DEXA® Flow-Regulator is also very advantageous : the various flow sections are largely sized and the flow profiles perfectly optimised to allow large flow rates (up to 60 l/min) with a minimum of flow restriction, pressure loss and turbulence.

Reversible set-up left/right

The DEXA® Flow Regulators can be connected indifferently

- To the main water supply
- To the water collection circuit through the left or the right side, or a combination of both (ex : supply on the left, collection on the right). The only requirements to be fulfilled is to ensure the water supply is connected on the «**back connection**» of the DEXA® side, whereas the outlet to collection circuit is connected to the «**front connection**». (see photos below).

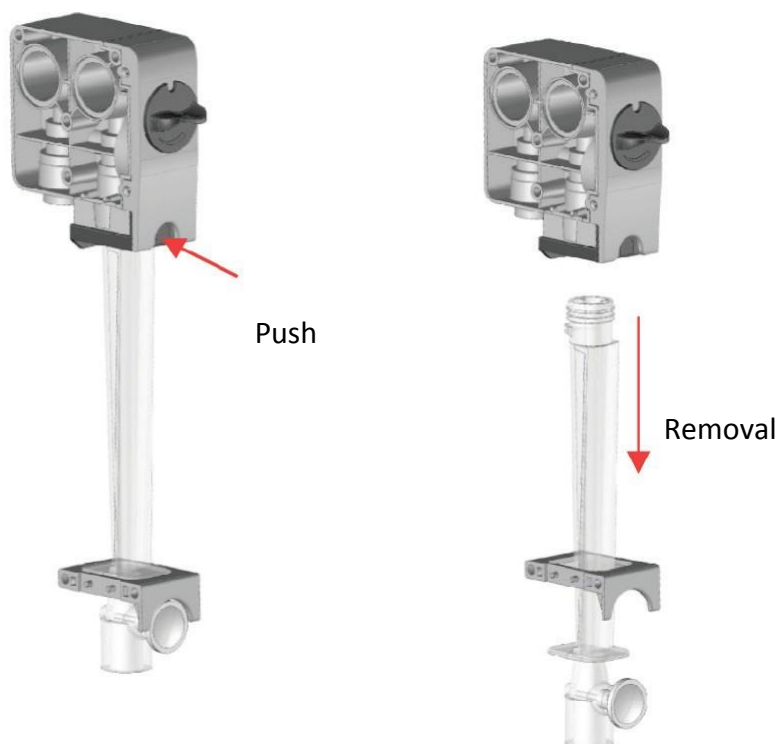
Connection on the right



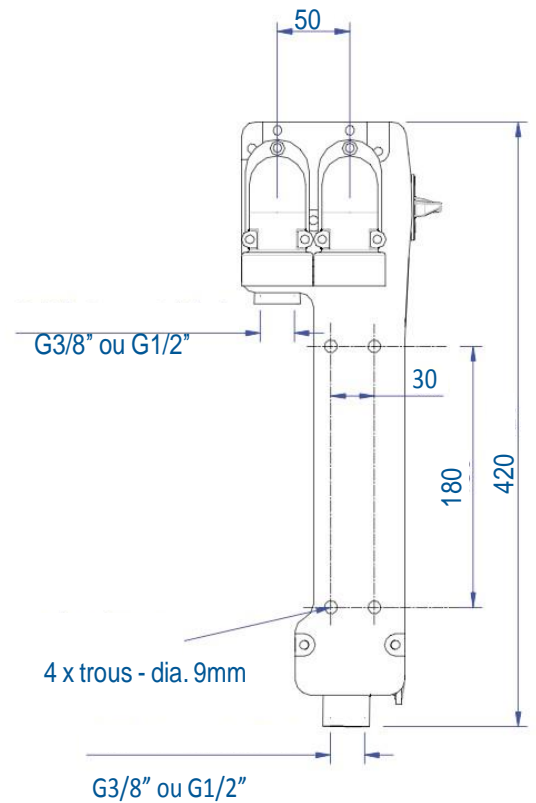
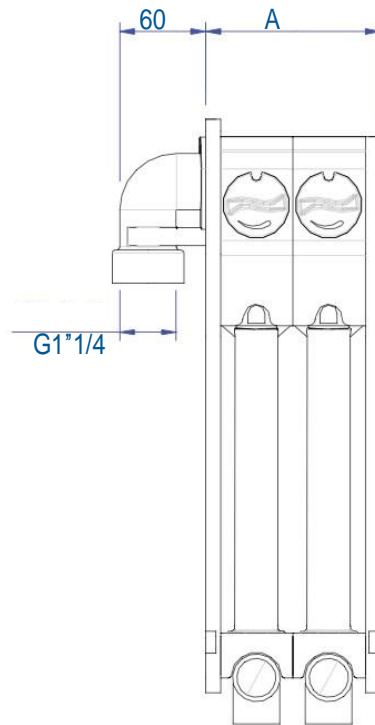
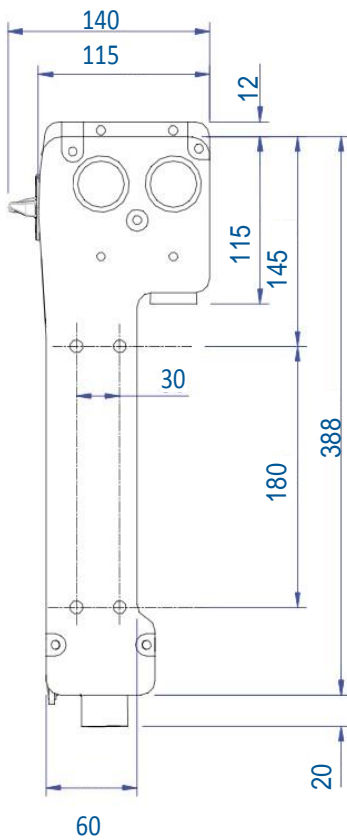
Connection on the left



Dismantling of the graduated DEXA® tubes



Technical specifications / Dimensions



Maximum temperature	80°C
Maximum Pressure.	7 bar
Flow rates	Type «A» : 0 - 10 liters/min Type «B» : 0 - 30 liters/min Type «C» : 0 - 60 liters/min
Ø Main's water in-/outlet connections	1" 1/4 G
Ø Inlet/outlet connections to mould	Type «A» : 3/8" G Type «B» : 3/8" G Type «C» : 1/2" G
Number of zones	1 à 12 depending on flow rates

NOTE : Modifications may occur anytime without notice

Optional accessories

- VID-O® Mould-Purging system (Code-Art. VD250DX)
- Ball shut-off valves
- Solenoid shut-off valves
- Hose tail connections
- Reduction pieces
- Quick couplers (type Stäubli or equivalent)

Articles references

Modèle	Débit	Nbre de voies	Thermomètre	Références
DEXA	0-10 l/m	1	non	DEXA 10L 01v
DEXA	0-10 l/m	1	oui	DEXA 10L 01v T
DEXA	0-10 l/m	2	non	DEXA 10L 02v
DEXA	0-10 l/m	2	oui	DEXA 10L 02v T
DEXA	0-10 l/m	4	non	DEXA 10L 04v
DEXA	0-10 l/m	4	oui	DEXA 10L 04v T
DEXA	0-10 l/m	6	non	DEXA 10L 06v
DEXA	0-10 l/m	6	oui	DEXA 10L 06v T
DEXA	0-10 l/m	8	non	DEXA 10L 08v
DEXA	0-10 l/m	8	oui	DEXA 10L 08v T
DEXA	0-10 l/m	10	non	DEXA 10L 10v
DEXA	0-10 l/m	10	oui	DEXA 10L 10v T
DEXA	0-10 l/m	12	non	DEXA 10L 12v
DEXA	0-10 l/m	12	oui	DEXA 10L 12v T
DEXA	0-30 l/m	1	non	DEXA 30L 01v
DEXA	0-30 l/m	1	oui	DEXA 30L 01v T
DEXA	0-30 l/m	2	non	DEXA 30L 02v
DEXA	0-30 l/m	2	oui	DEXA 30L 02v T
DEXA	0-30 l/m	4	non	DEXA 30L 04v
DEXA	0-30 l/m	4	oui	DEXA 30L 04v T
DEXA	0-30 l/m	6	non	DEXA 30L 06v
DEXA	0-30 l/m	6	oui	DEXA 30L 06v T
DEXA	0-30 l/m	8	non	DEXA 30L 08v
DEXA	0-30 l/m	8	oui	DEXA 30L 08v T
DEXA	0-30 l/m	10	non	DEXA 30L 10v
DEXA	0-30 l/m	10	oui	DEXA 30L 10v T
DEXA	0-60 l/m	1	non	DEXA 60L 01v
DEXA	0-60 l/m	1	oui	DEXA 60L 01v T
DEXA	0-60 l/m	2	non	DEXA 60L 02v
DEXA	0-60 l/m	2	oui	DEXA 60L 02v T
DEXA	0-60 l/m	4	non	DEXA 60L 04v
DEXA	0-60 l/m	4	oui	DEXA 60L 04v T
DEXA	0-60 l/m	6	non	DEXA 60L 06v
DEXA	0-60 l/m	6	oui	DEXA 60L 06v T
DEXA	0-60 l/m	8	non	DEXA 60L 08v
DEXA	0-60 l/m	8	oui	DEXA 60L 08v T

Spare parts

Descriptions	Références
1 Tube 10/30L without thermometer (seals included)	TUB 30/30
1 Tube 10/30L with thermometer (seals included)	TUB 10/30 T
1 Tube 30/60L without thermometer (seals included)	TUB30/60
1 Tube 30/60L with thermometer (seals included)	TUB30/60T
1 Complete connection kit (hose tails, seal joints, closing plate, screws)	KIT RACO
1 Thermometer	THERMO
1 Floateur 10L	FLO10
1 Floateur 30L	FLO30
1 Floateur 60L	FLO60
4 Connections seal joints (32X38,5X13,5)	JOINT
2 Grey closing plates	OBTU

Warranty 1 year

Our guarantee covers all defaults determined after our assessment in our factory (return shipment costs covered by purchaser). Our guarantee does not cover DEXA® that have been opened, and damages caused by misuse (including inappropriate operational conditions). If defaults are confirmed by our assessment, all reparation and shipment (return to factory, reshipment) costs will be then covered by us and reimbursed, based on documentary evidence of costs.



A brand of company



PLASTIC BILLAT

www.debimetre-dexa.fr